



# ICP69185

V1.3

## INDUSTRIAL OPERATION PANEL

Support Celeron™ 4205U/J1900/Core i5 7200U

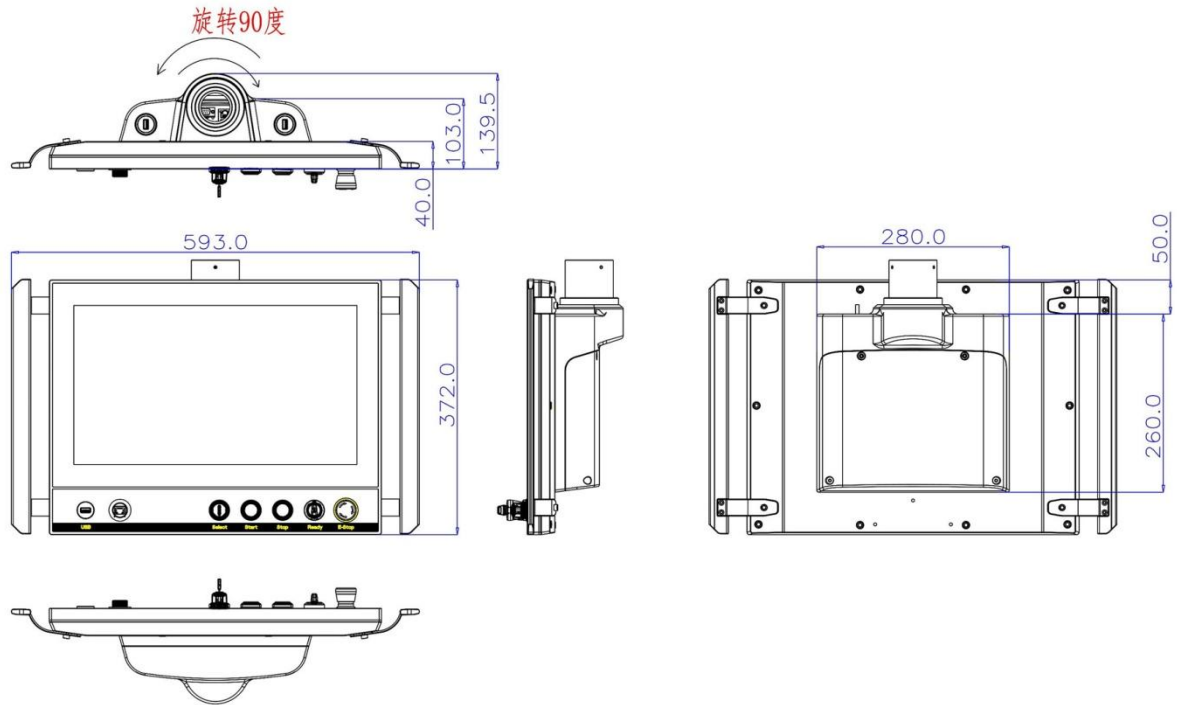
Highly integrated cantilever industrial system operation panel

## Specifications:



|                      |                           | ICP69185   |
|----------------------|---------------------------|--|
| <b>Processor</b>     | CPU                       | Support Intel® Celeron™ 4205U/J1900/Core i5 7200U  |
|                      | Main Frequency            | Dual Core 1.8GHz/Quad Core 2.0GHz/Dual Core 2.5Hz  |
|                      | L3 Cache                  | 2MB/2MB/3MB  |
|                      | Memory                    | 1*DDR3L-1600, max 8GB / 1*DDR4 2400MHz, max 16G  |
|                      | Storage interface         | 1 x 2.5" SATA HDD + 1 x mSATA  |
| <b>I/O</b>           | Ethernet                  | 2 x Intel 1000Mbps RJ-45 Ethernet interface  |
|                      | Audio                     | Optional   |
|                      | USB                       | 4 x USB3.0/2.0/1.1   |
|                      | Serial port               | 2 x RS-232 / RS-485 with surge protection, RS485 support automatic flow control                                      |
|                      | Expansion slot            | 1 x Mini-PCIe slot, extensible 3G, WIFI wireless card  |
| <b>Physical</b>      | Weight                    | 10.24KG  |
|                      | Pensile Direction         | Optional Up or Down  |
|                      | Fixed Stand of Cantilever | Suitable for full series   |
|                      | Handle of Operation Panel | Standard   |
|                      | Keyboard tray             | optional   |
|                      | Operation Button          | Optional Item, Nodka Standard: USB, Rotatable switch, Push button (Green , Red ), Key switch, Emergency stop switch) |
|                      | Dimension (W x H x D)     | 554mm x 411mm x 140.5mm  |
| <b>OS</b>            | OS                        | Windows 7, Windows8, Windows10, Linux  |
| <b>Power</b>         | DC input                  | DC 12-24V support reverse polarity protection, overvoltage protection, overcurrent protection                        |
|                      | Maximum Power Dissipation | Depend on the processor  |
| <b>LCD</b>           | LCD Type                  | 18.5" HD TFT   |
|                      | Resolution                | 1366 x 768   |
|                      | Colors                    | 16.7MB   |
|                      | Active Area (W x H)       | 409.8mm x 230.4mm  |
|                      | Backlight                 | LED  |
|                      | MTBF (hour)               | 30000hrs   |
|                      | Pixel Pitch (H x V)       | 0.248 x 0.248  |
|                      | Luminance                 | 250cd/m2   |
|                      | Contrast Ratio            | 1000:1   |
|                      | Viewing Angle             | (L) 85 / (R) 85 / (T) 80 / (B) 80  |
| <b>Touchscreen</b>   | Touchscreen type          | Capacitive touch screen  |
|                      | Transmittance             | > 81%  |
|                      | Response Time (touch pen) | < 5ms  |
|                      | Surface Hardness          | Mohs Hardness 7H   |
|                      | Click Life                | 250g / 100,000,000 times   |
|                      | Multi-touch               | 10 points  |
| <b>Environmental</b> | Work Temperature          | -10 ~ 60°C (14~140°F)  |
|                      | Storage Temperature       | -20 ~ 80°C (-4 ~ 176°F)  |
|                      | Relative Humidity         | 5~95% (Non-condensation)   |
|                      | Shake                     | SSD applied: 1.5 Grms, IEC 60068-2-64, random, 5 ~ 500 Hz, 1 hr/axis   |
|                      | Shock                     | SSD applied: 10 G, IEC 60068-2-27, Half-sine wave, 11ms duration   |
|                      | EMC                       | CE/FCC Class B   |
|                      | Water-proof               | IP65   |

ICP69185 Dimension:



Order Price Table:

| ICP68185              | Specification  |
|-----------------------|--|
| ICP69185-C-WL4205U-4G | 18.5"LCD/1366*768/ capacitive touchscreen /4205 1.8G CPU /4G memory/no hard disk /DC12V~24V input  |
| ICP69185-C-SL7200U-4G | 18.5"LCD/1366*768/ capacitive touchscreen /7200U 2.5G CPU /4G memory/no hard disk /DC12V~24V input |
| ICP69185-C-J1900-4G   | 18.5"LCD/1366*768/ capacitive touchscreen /J1900 2.0G CPU /4G memory/no hard disk /DC12V~24V input |