



TPC6000-C153-L **V1.3**

Industrial Panel PC

15" XGA Fanless Industrial Panel PC

Support Intel® Celeron J1900/ J6412/ 4205U

Support Intel® Core™ i3-8145 U / i5-7200U



TPC6000-C153-L



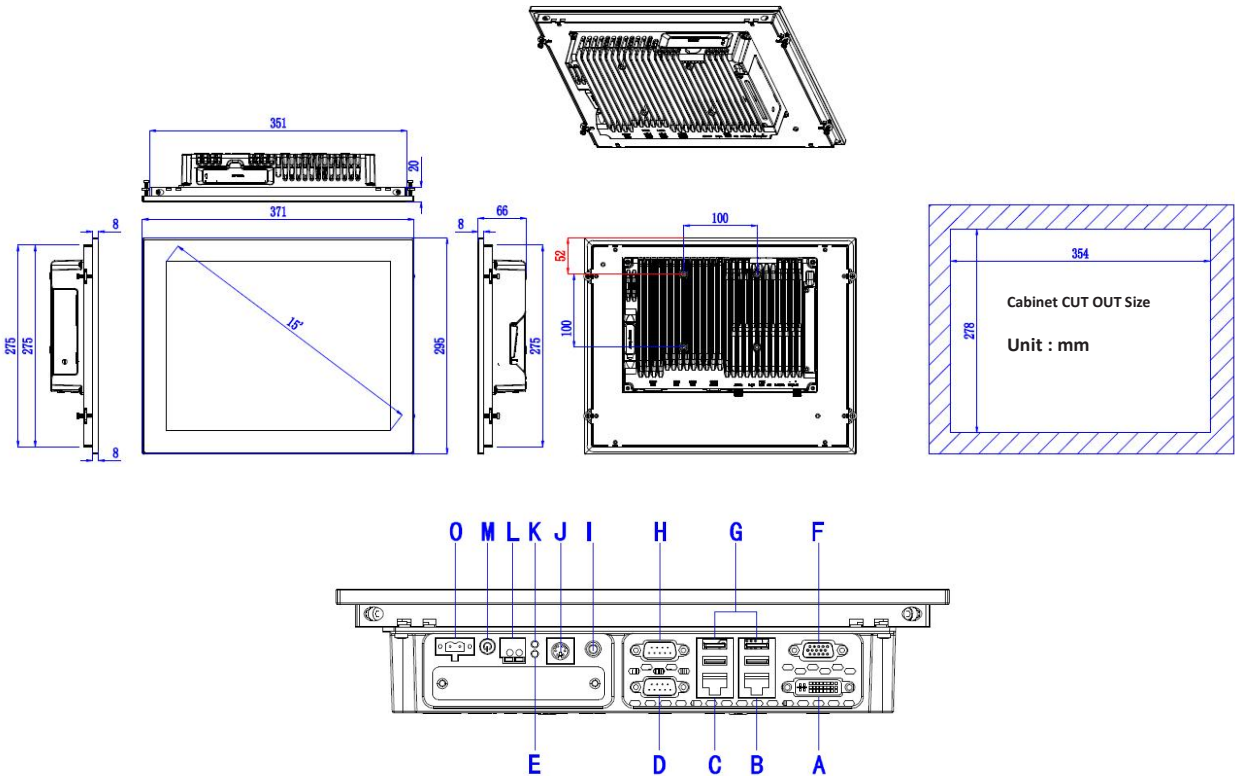
Specifications:



Processor	CPU	J1900	J6412	4205U	i3-8145U	i5-7200U
	Base Frequency	Quad Core 2.0GHz		Dual Core 1.8GHz	Dual Core 2.1 GHz	Dual Core 2.5GHz
	L3 Cache	2MB	1.5MB	2MB	4MB	3MB
	Memory	1*DDR3L-1600, max 8GB / 1*DDR4 2400MHz, max 16GB				
	Storage Medium	1 x 2.5" SATA bay + 1 x mSATA				
I/O	LAN	2 x Intel 1000Mbps RJ-45 Ethernet interface				
	Audio	Optional				
	USB	4 x USB3.0/2.0/1.1				
	COM	2 x RS-232 / RS-485 interface				
	Expansion slot	1 x Mini-pcie slot, expandable 3G, WIFI wireless card, 1 x EasyBUS slot				
	Rear I/O	DVI-I / 2 x GLAN / 4 x USB / 2 x COM / 2 x PS2 / Line-out / Mic-in				
Physical	Dimensions (W x H x D)	371mm x 295mm x 66mm (14.61" x 11.61" x 3.07")				
	Cut Out Size (W x H)	354mm x 278mm (13.94" x 10.94")				
	NW	4.54kg				
OS	OS	Windows 7, Windows 7 Embedded, Windows8, Windows10, Ubuntu, VXWORKS, QNX				
Power	Input voltage	12-24VDC ±10%, support reverse polarity protection, overvoltage protection, overcurrent protection				
	Maximum Power Dissipation	40W				
LCD	LCD Size	15" XGA TFT				
	Resolution	1024 x768				
	Colors	16.7MB				
	Active Area (W×H)	304.13mm×228.10mm (11.97" x8.98")				
	Backlight	LED				
	MTBF	50000hrs				
	Pixel Pitch	0.297 x0.297				
	Luminance	420cd/m2 (2 nd source 350cd/m2)				
	Contrast Ratio	800:1 (2 nd source 1000:1)				
	Viewing Angle	(L) 80/(R)80/ (T) 80/(B)80				
Touchscreen	Type	Multi-point capacitive touch screen				
	Transmittance	> 87%				
	Controller interface	USB				
	Driver Support	Windows XP, Windows 7, Windows 8, Windows 10, Linux				
	Multi-touch	10 points (windows system)				
	Surface Hardness	Mohs' 7H				
Environmental	Work Temperature	-20~60°C (-4~140°F)				
	Storage Temperature	-30~80°C (-22~176°F)				
	Relative humidity	5~95%@40°C(non-condensing)				
	Vibration	Operating Random Vibration Test 5~500Hz, 1.5Grms@with SSD, follow IEC 60068-2-64				
	Shock	Operating 10G peak acceleration (11ms duration), follow IEC 60068-2-27				
	EMC	CE/FCC Class B				
	Front Panel Protection	IP65 compliant				

TPC6000-C153-L

Dimensions:
Unit: mm



A:DVI-D	B:LAN1	C:LAN2	D:COM1
E:Power LED	F: VGA	G:USB	H:COM2
I:Line OUT	J: PS2	K:HDD LED	I:SW
M:Power Switch	O: DC IN 12-24V		

Ordering Information:

Product Code	Description
TPC6000-C153-L-J1900	15"LCD/ Intel J1900 Quad Core 2.0GHz CPU/ No Memory / No Hard /2*RS-232/485(Optional) / 2*LAN /4*USB3.0/ 1024*768/DC12V-24V input
TPC6000-C153-L-WL4205U	15"LCD/Intel 4205U 1.8GHz Dual Core CPU/ No Memory / No Hard /2*RS-232/485(Optional) / 2*LAN /4*USB3.0/ 1024*768/DC12V-24V input
TPC6000-C153-L-WL8145U	15"LCD/ Intel 8145U Dual Core 2.1GHz CPU/ No Memory / No Hard /2*RS-232/485(Optional) / 2*LAN /4*USB3.0/ 1024*768/DC12V-24V input
TPC6000-C153-L-SL7200U	15"LCD/ Intel 7200U Dual Core 2.5GHz CPU/ No Memory / No Hard /2*RS-232/485(Optional) / 2*LAN /4*USB3.0/ 1024*768/DC12V-24V input
TPC6000-C153-L- J6412	15"LCD/Intel J6412 2.0GHz Quad Core CPU/ No Memory / No Hard /2*RS-232/485(Optional) / 2*LAN /4*USB3.0/ 1024*768/DC12V-24V input