



# TPC6000-C172-L/LE

V1.1

Industrial Panel PC

---



17" SXGA Fanless Industrial Panel PC  
Intel® Bay Trail J1900/E3845 CPU

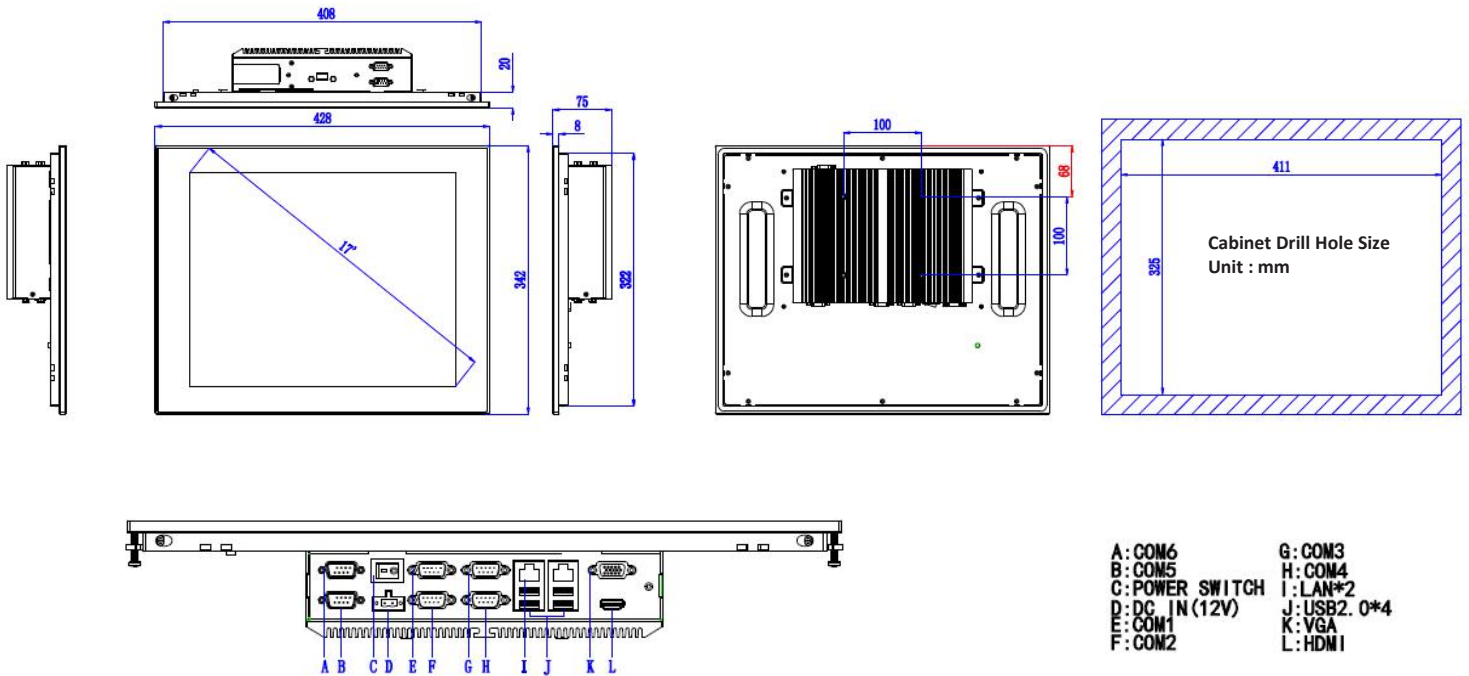


## Specifications:

Processor	CPU	Intel® Bay Trail J1900/E3845
	Frequency	Quad core 2GHz/ Quad core 1.91GHz
	L2 Cache	2MB
	Chipset	Intel Bay trail SOC
	Memory	1 x 204-pin SODIMM DDR3L-1333MHz support up to 8GB
	Storage Medium	1 x 2.5" SATA bay + 1 x mSATA
I/O	LAN	2 x Realtek 1000Mbps RJ-45 with surge protection, lightning protection design and 15KV ESD protection
	Audio	/
	USB	1 x USB3.0/2.0/1.1, 3 x USB2.0/1.1
	COM	6x RS232( COM1 can jumper to RS485,COM5 and COM6 optional RS485 by add on module)
	Expansion slot	1 x Mini-PCIe slot, extensible 3G,WIFI wireless card
	Rear I/O	VGA / HDMI / 2 x GLAN / 4 x USB / 6 x COM
Physical	Dimensions (W x H x D)	428mm x 342mm x 75mm (16.85" x 13.46" x 2.95")
	Drill Hole Size (W x H)	411mm x 325mm (16.18" x 12.80")
	NW	5.34kg(11.77lb)
OS	OS	Windows 7, Windows 7, Windows8, Windows10, Linux
Power	Input voltage	DC 12V,support reverse polarity protection, +9~+30V (Option)
	Maximum Power Dissipation	40.6Watt
LCD	LCD Size	17" SXGA TFT
	Resolution	1280 x 1024
	Colors	16.7MB
	Active Area (W x H)	338mm x 270mm (13.31" x 10.63")
	Backlight	LED
	MTBF	30000hrs
	Pixel Pitch(H x V)	0.264 x 0.264
	Luminance	250cd/m <sup>2</sup>
	Contrast Ratio	1000 : 1
	Viewing Angle	(L) 85 / (R) 85 / (T) 80 / (B) 80
Touchscreen	Type	Multi-point capacitive touch screen
	Transmittance	> 87%
	Controller interface	USB
	Driver Support	Windows7, Windws 8, Windows 10, Linux
	Multi-touch	10 points (windows system)
	Surface Hardness	Mohs' Number 7H
Environmental	Work Temperature	-20 ~ 60°C (-4~140 °F )(Wide temperature SSD)
		0 ~ 45°C (32~113 °F ) (General temperature HDD/SSD)
	Storage Temperature	-30 ~ 80°C (-22 ~ 176 °F )
	Relative humidity	10~95% RH@40°C,non-condensing
	Shake	SSD applied: 1.5 Grms, IEC 60068-2-64, random, 5 ~ 500 Hz, 1 hr/axis
	Shock	SSD applied: 10 G, IEC 60068-2-27, Half-sine wave, 11ms duration
	EMC	CE/FCC Class B
Water-proof	Front panel IP65	

## Dimensions:

Unit : mm



## Ordering Information:

Product Code	Description
TPC6000-C172-LE	17"LCD/Intel E3845 CPU /No Memory/No Hard Disk/6*RS-232 RS232( COM1 can jumper to RS485,COM5 and COM6 optional RS485 by add on module)/2 Gigabit Ethernet ports/4*USB2.0/Capacitive touch screen/1280*1024/DC12V input
TPC6000-C172-L	17"LCD/Intel J1900 CPU /No Memory/No Hard Disk/6*RS-232 RS232( COM1 can jumper to RS485,COM5 and COM6 optional RS485 by add on module)/2 Gigabit Ethernet ports/4*USB2.0/Capacitive touch screen/1280*1080/DC12V input
TPC6000-C172-LE-DC24V	17"LCD/Intel E3845 CPU /No Memory/No Hard Disk/4*RS-232(COM1 Option RS-485)/2 Gigabit Ethernet ports/4*USB2.0/Capacitive touch screen/1280*1024/DC9~30V input
TPC6000-C172-L-DC24V	17"LCD/Intel J1900 CPU /No Memory/No Hard Disk/4*RS-232(COM1 Option RS-485)/2 Gigabit Ethernet ports/4*USB2.0/Capacitive touch screen/1280*1080/DC9~30V input

## Optional Items:

Adapter	Input: 100~240V~50/60Hz 1.7A Output: +12.0V—5A,60Watt
Memory	DDR3 2G/4G/8G, max to 8G
Storage	Mini SATA SSD: 32G/64G/128G/256G/512G... 2.5" SSD: 32G/64G/128G/256G/512G... 2.5" HDD: 500G/1T...
Wifi	7260 Series
3G/4G module	EC20, EC25, EG25...