



TPC6000-D173-L v1.2

Industrial Panel PC

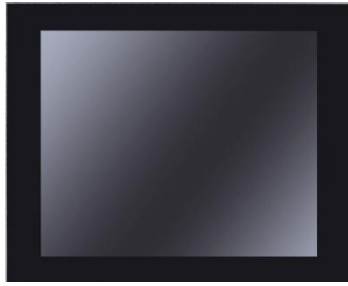
17" SXGA Fanless Industrial Panel PC

Support Intel® Celeron™ J1900/ J6412/ 4205U

Support Intel® Intel® Core™ i3-8145U / i5-7200U



TPC6000-D173-L



Specifications:

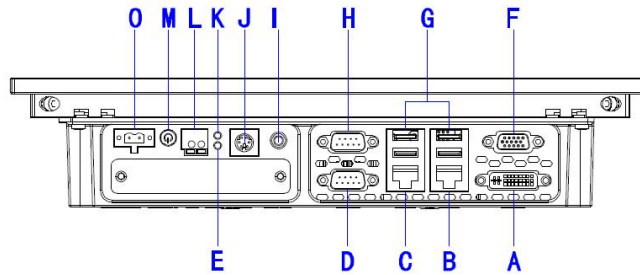
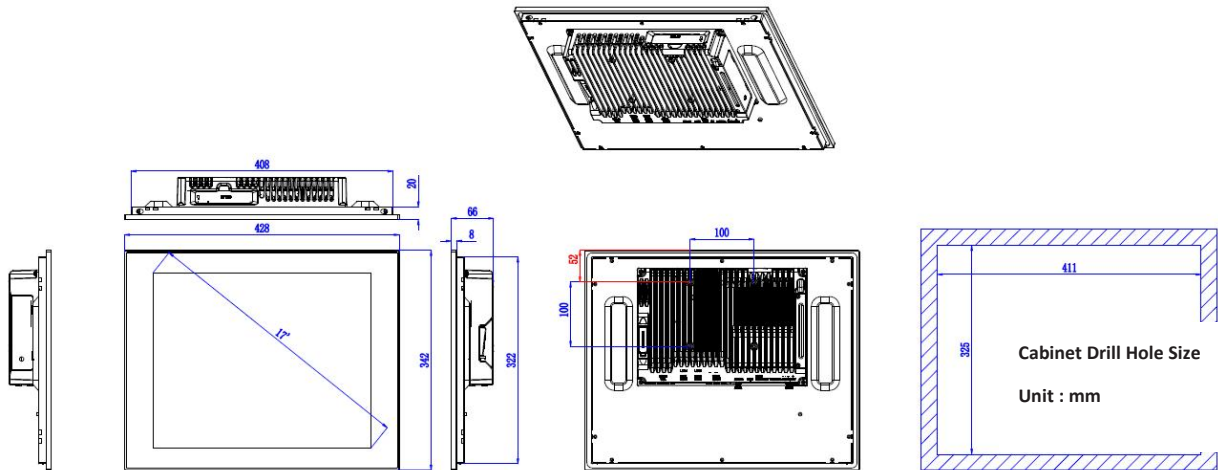


Processor	CPU	J1900	J6412	4205U	i3-8145U	i5-7200U
	Base Frequency	Quad Core 2.0GHz		Dual Core 1.8GHz	Dual Core 2.1 GHz	Dual Core 2.5GHz
	L3 Cache	2MB	1.5MB	2MB	4MB	3MB
	Chipset	Integrated PCH-LP				
	Memory	1*DDR3L-1600, max 8GB / 1*DDR4 2400MHz, max 16GB				
	Storage Medium	1 x 2.5" SATA bay + 1 x mSATA				
I/O	LAN	2 x Intel 1000Mbps RJ-45 Ethernet interface				
	Audio	Optional				
	USB	4 x USB3.0/2.0/1.1				
	COM	2 x RS-232 / RS-485 interface				
	Expansion slot	1 x Mini-PCIe slot, extensible 3G,WIFI wireless card, 1 x EasyBUS slot				
	Rear I/O	DVI-I / 2 x GLAN / 4 x USB / 2 x COM / 2 x PS2 / Line-out / Mic-in				
Physical	Dimensions (W x H x D)	428mm x 342mm x 66mm (16.85" x 13.46" x 2.60")				
	Drill Hole Size (W x H)	411mm x 325mm (16.18" x 12.80")				
	NW	5.54kg				
OS	OS	Windows 7, Windows 7 Embedded, Windows8, Windows10, Ubuntu, VXWORKS, QNX				
	Power	Input voltage	12-24VDC ±10%, support reverse polarity protection, overvoltage protection, overcurrent protection			
LCD	Maximum Power Dissipation	41W				
	LCD Size	17" SXGA TFT				
	Resolution	1280 x 1024				
	Colors	16.7MB				
	Active Area (W×H)	338mm x 270mm (13.31" x 10.63")				
	Backlight	LED				
	MTBF	30000hrs				
	Pixel Pitch	0.264 x 0.264				
	Luminance	250cd/m ²				
	Contrast Ratio	1000:1				
	Viewing Angle	(L) 85 / (R) 85 / (T) 80 / (B) 80				
Touchscreen	Type	Resistive touch screen				
	Resolution	4096 x 4096				
	Transmittance	> 78%				
	Driver Support	Windows XP, Windows 7, Windows 8, Windows 10, Linux				
	Response Time	< 5ms				
	Surface Hardness	Mohs' Number 3H				
Environmental	Work Temperature	-20~-60°C (-4~140°F)				
	Storage Temperature	-30~-80°C (-22~176°F)				
	Relative humidity	5~95% (non-condensing)				
	Shake	SSD applied: 1.5Grms, IEC 60068-2-64, random, 5~500Hz, 1 hr/axis				
	Shock	SSD applied: 10 G, IEC 60068-2-27, Half-sine wave, 11ms duration				
	EMC	CE/FCC Class B				
	Water-proof	Front panel IP65				

TPC6000-D173-L

Dimensions:

Unit: mm



A:DVI-D	B:LAN1	C:LAN2	D:COM1
E:Power LED	F: VGA	G:USB	H:COM2
I:Line OUT	J: PS2	K:HDD LED	I:SW
M:Power Switch	O: DC IN 12-24V		

Ordering Information:

Product Code	Description
TPC6000-D173-L-J1900	17"LCD/ Intel J1900 Quad Core 2.0G CPU/ No Memory / No Hard /2*RS-232/485(Optional) / 2*LAN /4*USB3.0/ 1280*1024/DC12V-24V input / Two-year warranty
TPC6000-D173-L-WL4205U	17"LCD/ Intel 4205U Dual Core 1.8 GHz CPU/ No Memory / No Hard /2*RS-232/485(Optional) / 2*LAN /4*USB3.0/ 1280*1024/DC12V-24V input / Two-year warranty
TPC6000-D173-L- WL8145U	17"LCD/ Intel 8145U Dual Core 2.1 GHz CPU/ No Memory / No Hard /2*RS-232/485(Optional) / 2*LAN /4*USB3.0/ 1280*1024/DC12V-24V input / Two-year warranty
TPC6000-D173-L-SL7200U	17"LCD/ Intel 7200U Dual Core 2.5GHz CPU/ No Memory / No Hard /2*RS-232/485(Optional) / 2*LAN /4*USB3.0/ 1280*1024/DC12V-24V input / Two-year warranty
TPC6000-D173-L- J6412	17"LCD/ Intel J6412 Quad Core 2.0 GHz CPU/ No Memory / No Hard /2*RS-232/485(Optional) / 2*LAN /4*USB3.0/ 1280*1024/DC12V-24V input / Two-year warranty